



Riselas

深圳市华升激光科技有限公司

SHENZHEN RISELASER TECHNOLOGY CO., LTD

Eyeglass Frame Repairing Laser Welding Machine

Spot welding is an important and basic aspect of laser welding technology. When laser radiation heats the surface of work-piece, the surface heat diffuses to the interior through thermal conduction and melts the work piece by controlling the width, energy, peak power and repeating frequency of laser pulse to form specific molten pool.

Because of this unique feature, it is widely used in processing of precious jewelry or welding of precision parts.

MACHINE COMPONENTS



E-mail: carina@riselas.com

Website: www.riselas.com www.shdlaser.com

Address: Building A4, Meiyang Fenghuang Zhihui Innovation Park, No. 3, Fenghuang Xingye 3rd Road, Fuyong Street, Baoan District, Shenzhen, China 518103



Riselaser

深圳市华升激光科技有限公司

SHENZHEN RISELASER TECHNOLOGY CO., LTD

Product Features

1. Good safety, protect operator's eyes.
2. Powerful anti-jamming performance.
3. Easy and convenient operation.
4. High stability.
5. Microscope system ensure the precise welding
6. The protective gas controlled by program ensure the quality of the welding
7. Adopt ceramic laser cavity, high laser beam reflectivity, high optic-electric transferring efficiency.
8. The optimum welding spot has symmetrical energy distribution.
9. Fast welding speed, deeper melts pool, less distortion.
10. Tight welding spot, easy to operate, no maintain, no need filling material.

Technical Parameters

Input Voltage	AC220V±10% 50Hz
Laser Frequency	1.0~10.0Hz Continuously Adjustable
Pulse Width	0.1~10.0ms Grading Adjustable
Spot Diameter Adjusting Scope	±3.0mm
Laser Output Power	≤60W
Aiming and Positioning	CCD and Microscope
Environmental Temperature	≤45℃
Operating Mode	Touch Control
Laser Wavelength	1064nm
Display touch screen mounting dimensions	137*190(mm)
Machine Dimensions	L 510*W 295*H 395(mm)

E-mail: carina@riselaser.com

Website: www.riselaser.com www.shdlaser.com

Address: Building A4, Meiyang Fenghuang Zhihui Innovation Park, No. 3, Fenghuang Xingye 3rd Road, Fuyong Street, Baoan District, Shenzhen, China 518103

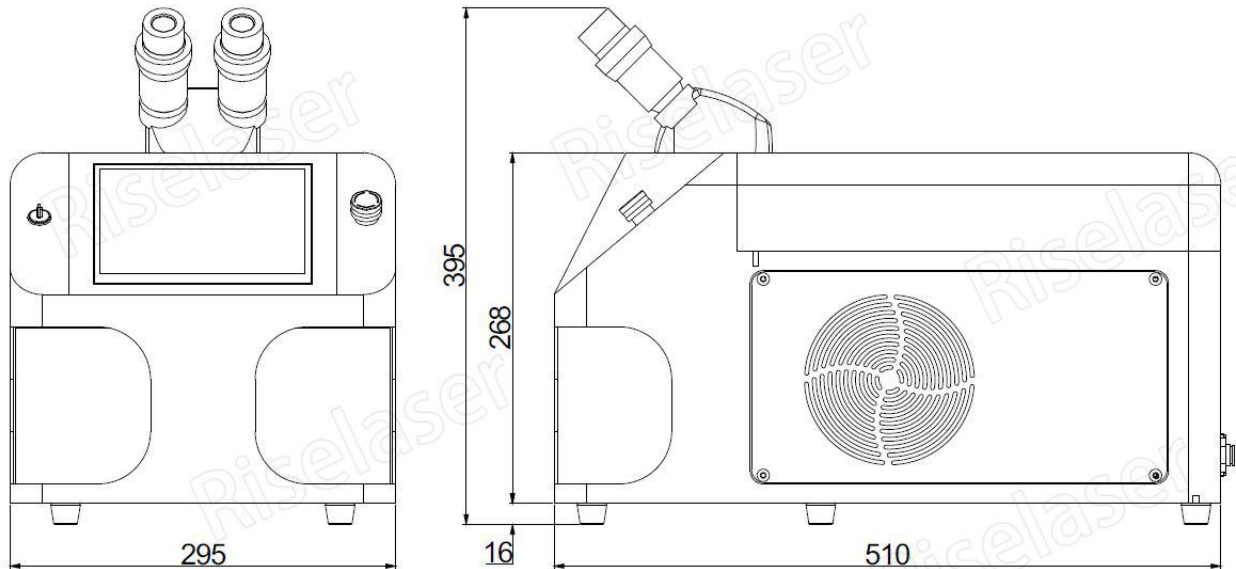


Riselas

深圳市华升激光科技有限公司

SHENZHEN RISELASER TECHNOLOGY CO., LTD

Detailed



Application

Widely used in aviation, aerospace, sports goods, jewel, golf head, medical instrument, electronics, mechanical process, car industries. Suitable for gold, silver, copper, titanium, stainless steel and other metals' patch welding, spot welding, pocket repairing and jaw hand welding when mount parts.



E-mail: carina@riselas.com

Website: www.riselas.com www.shdlaser.com

Address: Building A4, Meiyang Fenghuang Zhihui Innovation Park, No. 3, Fenghuang Xingye 3rd Road, Fuyong Street, Baoan District, Shenzhen, China 518103



Riselas

深圳市华升激光科技有限公司

SHENZHEN RISELASER TECHNOLOGY CO., LTD

Certification



Shipping



E-mail: carina@riselas.com

Website: www.riselas.com www.shdlaser.com

Address: Building A4, Meiyang Fenghuang Zhihui Innovation Park, No. 3, Fenghuang Xingye 3rd Road, Fuyong Street, Baoan District, Shenzhen, China 518103